



**description**

One-piece, multi-way breakout inserts providing reducing options to a variety of conduit sizes from a single hinged fitting junction.

These reducers can accommodate different types of slit and unslit conduit including **NC**, **CTPA**, **modified PP** and **deep section PP** and may be used with all Harnessflex hinged fittings.

**hinged fittings**

Contact us for details on this expanding range which includes :  
**external Y-pieces, external T-pieces, external 90° elbows, connector interfaces.**

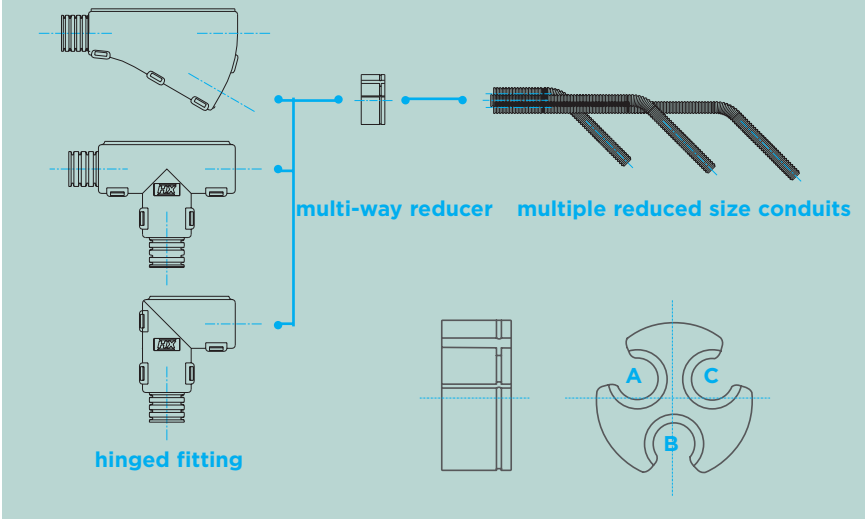
**specifications**

- Material: Nylon (polyamide 6,6)
- Colour: black
- IP rating: IP40
- Pull-off strength: nominally 120N
- Operating temperature range:**  
Static Applications -40 to 120°C
- Dynamic**  
Continuous -40 to 120°C  
Short Term -40 to 150°C

**approvals**

Complies with End of Life Vehicle (ELV) directive EU 2000/53/EC

**multi-way reducer configurations**



**configuration/part numbers**

| from conduit size<br>(NC) | (NW) | to conduit sizes (NC) |    |    | to conduit sizes (NW) |     |     | multi-way reducer |
|---------------------------|------|-----------------------|----|----|-----------------------|-----|-----|-------------------|
|                           |      | A                     | B  | C  | A                     | B   | C   |                   |
| 20                        | 17   | 08                    | 08 | -  | 7.5                   | 7.5 | -   | ST20-2x08         |
| 20                        | 17   | 12                    | -  | -  | 10                    | -   | -   | ST20-12           |
| 25                        | 22   | 08                    | 08 | 08 | 7.5                   | 7.5 | 7.5 | STN25-3x08        |
| 25                        | 22   | 12                    | 08 | -  | 10                    | -   | -   | ST25-12           |
| 25                        | 22   | 12                    | 08 | -  | 10                    | 7.5 | -   | ST25-1208         |



- 1 full compatibility**  
suitable for use with all Harnessflex hinged fittings
- 2 overcentre facility**  
when used with external T-pieces the reducer is held securely in place during harness fabrication
- 3 high pull-off strength**  
reducer sits tightly into hinged fitting junctions

for smooth end grommets see reverse



**description**

One-piece, slit grommet inserts providing abrasion protection for cables passing through a hinged fitting junction where conduit is not used.

Each grommet sits tightly into the fitting junction and may be used with all Harnessflex hinged fittings

**hinged fittings**

Contact us for details on this expanding range which includes :  
**external Y-pieces, external T-pieces, external 90° elbows, connector interfaces.**

**specifications**

Material: TPV  
Colour: black  
IP rating: IP40  
Pull-off strength: nominally 120N

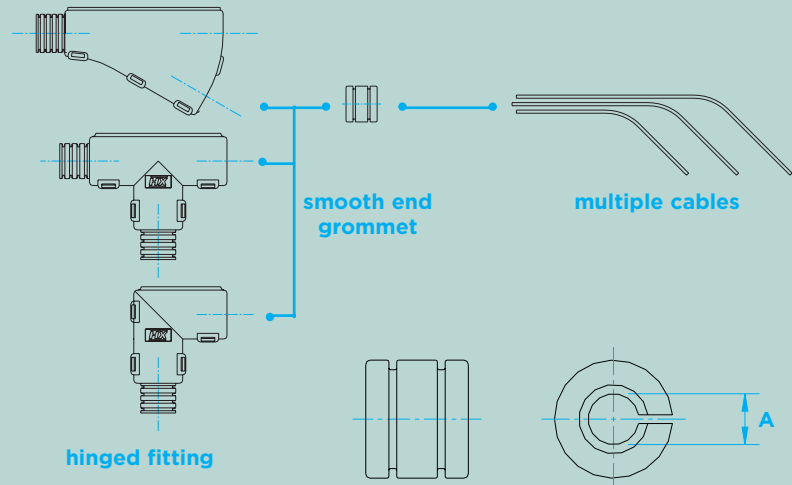
**Operating temperature range:**  
Static Applications -40 to 120°C

**Dynamic**  
Continuous -40 to 120°C  
Short Term -40 to 150°C

**approvals**

Complies with End of Life Vehicle (ELV) directive EU 2000/53/EC

**smooth end grommet configurations**



**configuration/part numbers**

| from conduit size |      | to inside diameter | smooth end grommet |
|-------------------|------|--------------------|--------------------|
| (NC)              | (NW) | A                  |                    |
| 12                | 10   | 8                  | SEG12              |
| 20                | 17   | 16                 | SEG20              |

**note :** dimensions are in mm



**1 full compatibility**  
suitable for use with all Harnessflex hinged fittings

**2 abrasion protection**  
internal ridges hold cables in place

**3 multiple cable capability**  
grommet can accommodate multiple cables or single ones up to 8mm in diameter.

Consult us for further developments.

**hinged systems, connector interfaces & connectors**  
document ref. DS305 version 5

**Harnessflex Limited** PO Box 7690 Birmingham B46 1HS UK  
tel: +44 (0)1675 468222 fax: +44 (0)1675 464930  
email: sales@harnessflex.co.uk web: www.harnessflex.com